

# Operating Instructions

Model No. CW Series  
Citrus Wedger™



## TABLE OF CONTENTS

Installation .....	2
Operation .....	2
Cleaning .....	2

### LIMITED WARRANTY

This product is warranted to be free from defects in material and/or workmanship for a period of 90 Days from date of purchase **with the exception of the blade cartridge**. Blade cartridge is warranted to be free from defects at time of delivery only.

**A Proof of Purchase is required for all warranty claims.**

Any component which proves to be faulty in material and/or workmanship will be replaced (at the option of Prince Castle, Inc.) without cost (including freight and duty) to the customer for parts or labor.

This warranty is subject to the following exceptions/conditions:

- This equipment is portable; charges for on-location service (e.g., trip charges, mileage) are not included in the provisions of this warranty.
- Damage caused by carelessness, neglect and/or abuse (e.g., dropping, tampering or altering parts), equipment damaged in shipment, by fire, flood or an act of God is not covered under this warranty.

## Product Specification

Model No.	Slice Size
CW-6	8 Section (YEL PC)
CW-1	8 Section (BLK PC)

PRINCE CASTLE INC.   
WORLDWIDE

355 East Kehoe Blvd. • Carol Stream, IL 60188 USA

Telephone: 630-462-8800 • Fax: 630-462-1460

Toll Free: 1-800-PCASTLE

[www.princecastle.com](http://www.princecastle.com)

---

## INSTALLATION

1. After you have removed the Citrus Wedger™ from the carton, inspect the unit for signs of damage. If there is damage to the unit:
  - Notify carrier within 24 hours after delivery.
  - Save carton and packing materials for inspection purposes.
  - Contact your Prince Castle Customer Sales Department at 1-630-462-8800 to arrange for a replacement to be sent.
2. Verify that all parts have been received.

---

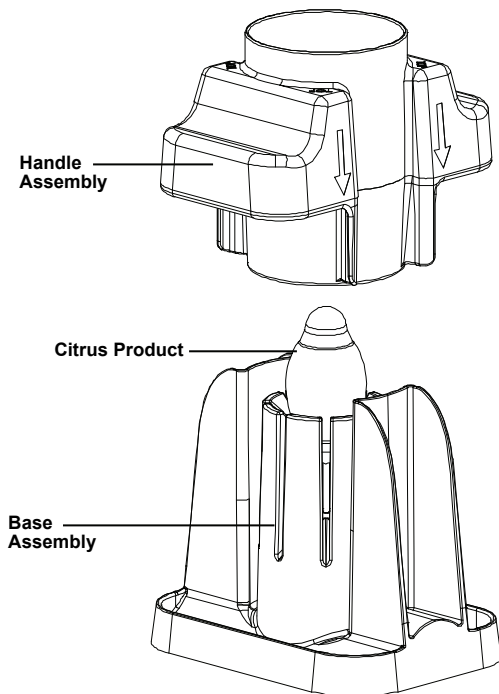
## OPERATION

### CAUTION

Blades are sharp. Do not touch blades.

1. Place unit on a level surface.
2. Lift handle assembly off of the base, place citrus product on center of the base. Push handle down through the citrus product. See **figure 1**.

**figure 1**



---

## CLEANING

### CAUTION

Blades are sharp. Do not touch blades.

1. Spray the Blade Assembly and Pusher Head with hot water to remove residue..
2. The Blade Assembly and Pusher Head can be disassembled by removing the 2 screws and removing the retainer plate..
3. Brush the blades (from the topside) and the Pusher Head with a brush and hot soapy water.
4. Rinse by spraying with hot water
5. Let air dry.
6. Reassemble Pusher Head and Blade Assembly using 2 screws.

### CAUTION

DO NOT place in the dishwasher. This can cause damage to the blade assembly and void the warranty.