

## 755 SERIES MULTI-DISPLAY TIMER



*The 755 Series Multi-Display timer is easy to use!*

The 755 Series Multi-Display Timer is an economical, multi-function timer in sixteen channels.

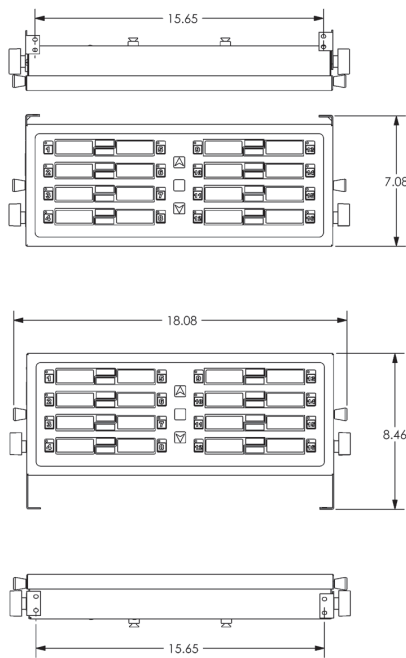
An easy-to-use timer counts down or up in minutes and seconds, or hours and minutes. Each channel has its own display, and can be programmed independently. Slide in replaceable menu strips identify the product being timed on each channel, and replace as restaurant menu changes.

Prince Castle Timers are easy to program and simple to use. The push of a button activates each channel; an audible alarm and flashing channel button alert the operator when timing is complete. Operators also have the option to program a preliminary alarm to warn the end of the timing cycle is near.

Prince Castle timers are backed by a one-year parts and labor warranty.

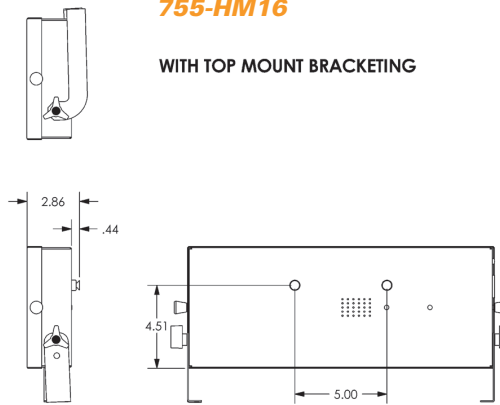
### FEATURES

- Each channel counts down or up in minutes and seconds, or hours and minutes.
- Each channel has its own display - capable of displaying both alpha and numeric characters.
- Toggles between countdown (or count-up) time and duty function.
- Each channel capable of sorting two different programs.
- Features an alert alarm to warn, "the end is near".
- Removable identification strips can be easily changed to accommodate new menu items.
- Program time and one duty function per channel.
- 8 programmable volume levels.
- Transformer built into housing (no fat plug).
- One-year parts and labor warranty.



### 755-HM16

WITH TOP MOUNT BRACKETING



WITH BOTTOM MOUNT BRACKETING

### DIMENSIONS

Model Number	Width in(cm)	Height in(cm)	Depth in(cm)	Shipping Weight lb(kg)	Shipping cu.ft (cu.m)
755-HM16	18.08 (45.90)	7.08 (17.90) Top Mount 8.46 (21.40) Bottom Mount	2.86 (7.20)	7.30 (3.30)	.30 (.01)

### ELECTRICAL INFORMATION

Model Number	Description	Volts	Hz	Watts	Amps	Plug Number
755-HM16	16-Channel Multi-Display Timer	100-240	50/60	25 max	.10	NEMA 5-15P

### CERTIFICATIONS



Designs and Specifications are subject to change without notice.