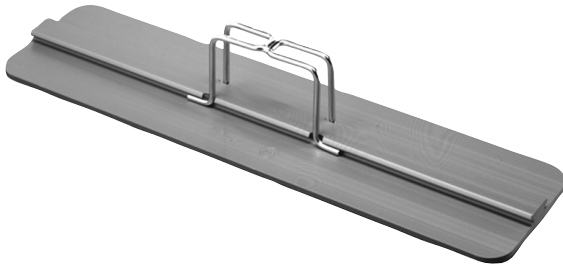


## 370-A/233-57A MEAT PRESSES



370-A



233-57A

### HEAVY-DUTY MEAT PRESS:

Press meat on your grill with the heavy-duty meat presses from Prince Castle.

With this heavy-duty meat press, you can reduce cooking time while improving food quality and food safety. The easy grip handle can be removed for efficient cleaning of the press.

### STANDARD FEATURES:

- Provides firm, even pressure for superior results
- Eliminates distortion and prevents shrinkage
- Reduces cooking time
- Improves food quality and food safety
- Ideal for multiple frozen hamburger patties, bacon, steaks and other meats
- Ensures even cooking
- Dishwasher safe
- Equipped with removable yellow plastisol dipped handle

## 362-6 SEAR PRESS

### STANDARD FEATURES:

- Prevents patties from curling during cooking
- Ensures consistency and prevents shrinkage
- Promotes even cooking and food safety
- Perfect for individual meat patties
- Dishwasher safe
- 5.25" (13cm) diameter

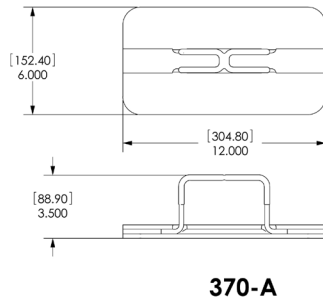
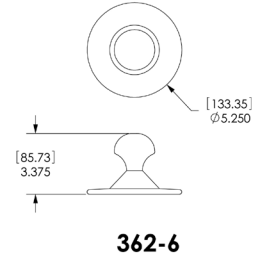
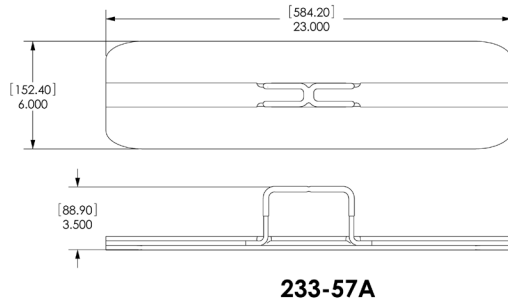


362-6

# 370-A/233-57A MEAT PRESSES

## SPECIFICATIONS

### LAYOUT:



Designs and specifications are subject to change without notice.

### DIMENSIONS:

Model Number	Width in (cm)	Height in (cm)	Length in (cm)	Shipping Weight lb (kg)	Shipping cu.ft. (cu.m.)
370A	6.00 (15.2)	3.50 (8.9)	12.00 (30.50)	2.7 (1.2)	.15 (.0041)
233-57A	6.00 (15.2)	3.50 (8.9)	23.00 (58.4)	5.0 (2.3)	.29 (.0083)
362-6	5.25 (13.3)	3.38 (8.6)	5.25 (13.3)	1.6 (.73)	.19 (.0054)

### ORDERING INFORMATION:

Model	Description
370A	Meat Press
233-57A	Meat Press
362-6	Sear Press

### CERTIFICATIONS:

