

CG8-1TP SINGLE LID CONTACT GRILL



CG8-1TP

SINGLE LID CONTACT GRILL:

Prince Castle's single lid contact grill has two heated platens that consistently cook a variety of products from top and bottom. Each platen's temperature is independently regulated/maintained by solid state controller and zone probe monitoring.

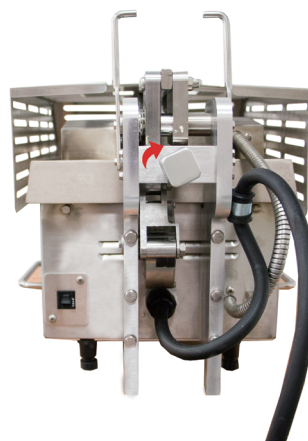
With single-channel electronic, programmable timers, the Prince Castle contact grill incorporates an audible alarm to supervise and remind operators to check or remove products.

The CG8-1TP contact grill has a cool exterior base surface and upper platen guards provide added protection from the top heated surfaces during operation. Platen temperature set points can be pre-programmed specific to customer's requirements, with built-in set point adjustment protection. Removing product build-up is simple with removable catch / drip tray.

Adjustable four position lid stops are designed for different menu items and include closed position set point for daily cleaning.

STANDARD FEATURES:

- Accurate temperature control
- Cooking surface is 8" wide smaller foot print (12" X 22")
- Cooking surface temperature range = 250°F (79°C) to 512°F (267°C)
- Durable stainless steel construction and heavy duty platens ensure long life and reliability
- Electronic , programmable timers to track product grill times
- Adjustable four position lid stops provide consistent grilling of menu items
- Cleaning mode designed,
- Grease drawer accessible from front
- Energy saving
- One year parts and labor warranty

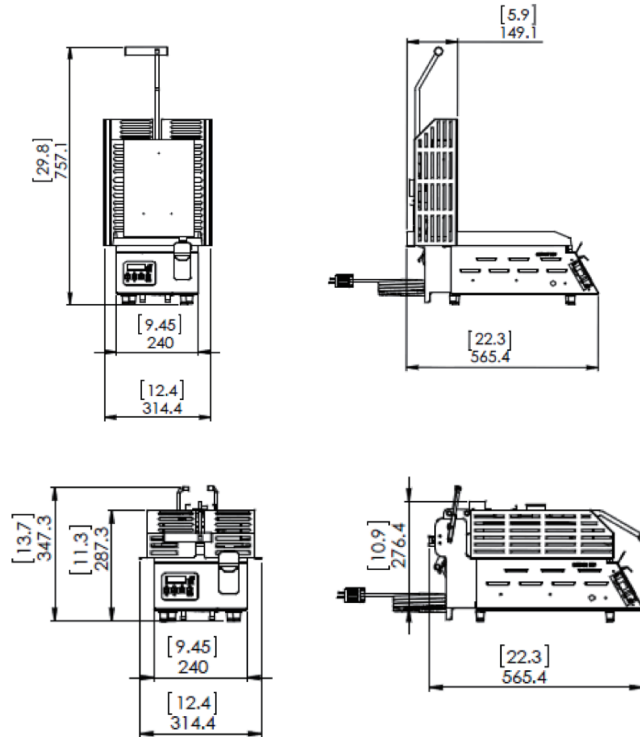


Adjustable lid stops for upper platen

CG8-1TP SINGLE LID CONTACT GRILL

SPECIFICATIONS

LAYOUT:



Designs and specifications are subject to change without notice

DIMENSIONS:

Model Number	Width in(cm)	Height in(cm)	Depth in(cm)	Shipping Weight lb(kg)	Shipping cu.ft.(cu.m.)
CG8-1TP (Closed)	12.40(31.44)	13.70(34.73)	22.30(56.54)	57.20(26.00)	5.40(.135)
CG8-1TP (Open)	12.40(31.44)	29.80(75.71)	22.30(56.54)	57.20(26.00)	5.40(.135)

ELECTRICAL:

Model Number	Volts	Hz	Watts	Plug
CG8-1TP	208-240	50/60	1300	NEMA 6-20P
CG8-1TPUL	208-240	50/60	1300	NEMA 6-20P

CERTIFICATION:



2017/02